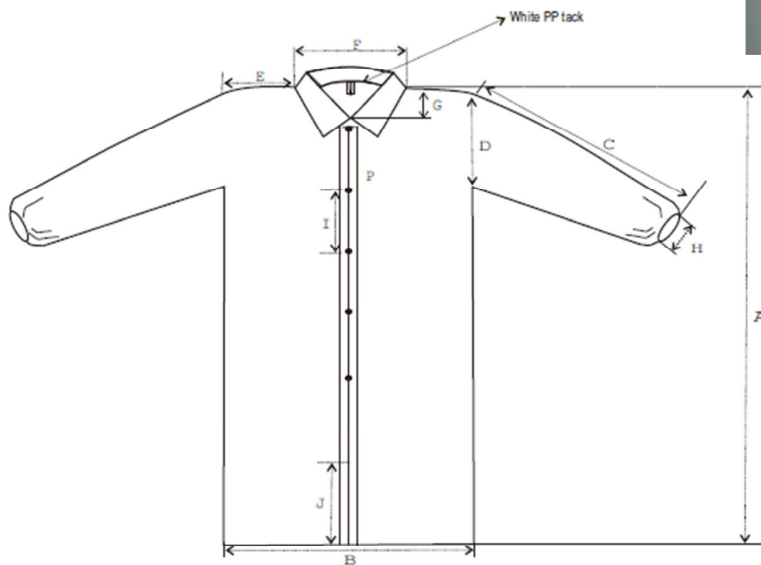


Product Description :	Polypropylene lab coat, white, XL
Product Code :	15461922 (17-100-804)
Raw Material :	50 g/m <sup>2</sup> SB PP
Size :	X-Large
Packaging :	25 pcs/bag/box
Carton Dimension :	32 x 28 x 25 cm



tem	Legth	Allowance	Remark
A	105cm	+/- 2cm	
B	68/145cm	+/- 2cm	
C	53cm	+/- 2cm	
D	27cm	+/- 2cm	
E	22cm	+/- 2cm	
F	25cm	+/- 1cm	
G	9cm	+/- 1cm	
H	8cm	+/- 2cm	
I	14cm	+/- 1cm	
J	27cm	+/- 1cm	Back open

© 2017 Thermo Fisher Scientific Inc. All rights reserved.  
 Trademarks used are owned as indicated at fishersci.com/trademarks.

Austria: +43(0)800-20 88 40 Belgium: +32 (0)56 260 260 Denmark: +45 70 27 99 20  
 Germany: +49 (0)2304 9325 Ireland: +353 (0)1 885 5854 Italy: +39 02 950 59 478  
 Finland: +358 (0)9 8027 6280 France: +33 (0)3 88 67 14 14 Netherlands: +31 (0)20 487 70 00  
 Norway: +47 22 95 59 59 Portugal: +351 21 425 33 50 Spain: +34 902 239 303  
 Sweden: +46 31 352 32 00 Switzerland: +41 (0)56 618 41 11 UK: +44 (0)1509 555 500